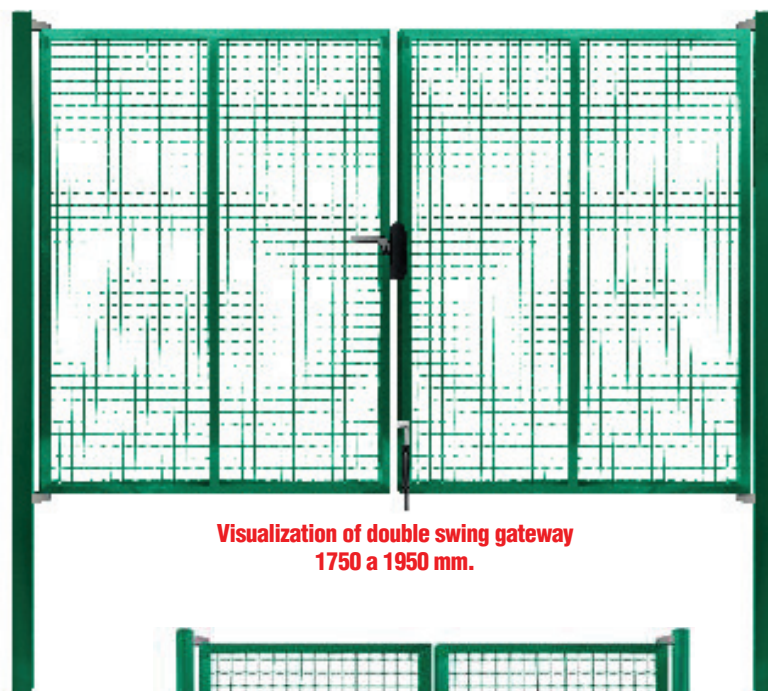


GATEWAY AND SINGLE SWING GATE – PILGATE®

GATEWAY – PILGATE®

- modified galvanized and galvanized + PVC
- frame made of square profiles (closed)
- welded net filling
- eyelets 50 × 50 mm
- wire diameter 3.50 mm
- green
- the gateway includes 2 posts including adjustable joint suspensions
- included is a lock with insert

GATEWAY			
width × height (mm)	galvanized + PVC	width × height (mm)	galvanized + PVC
3000 × 950	✓	4000 × 950	✓
3000 × 1150	✓	4000 × 1150	✓
3000 × 1450	✓	4000 × 1450	✓
3000 × 1750	✓	4000 × 1750	✓
3000 × 1950	✓	4000 × 1950	✓



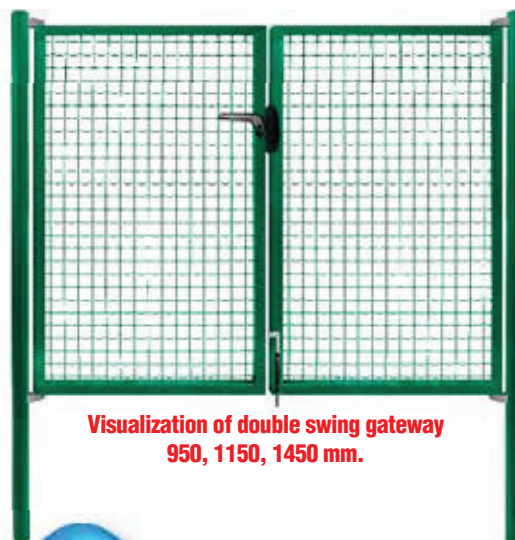
Visualization of double swing gateway
1750 a 1950 mm.

**PRODUCTION OF GATES
AND GATEWAYS PILGATE®
IN ATYPICAL SIZES
CUSTOM-MADE**

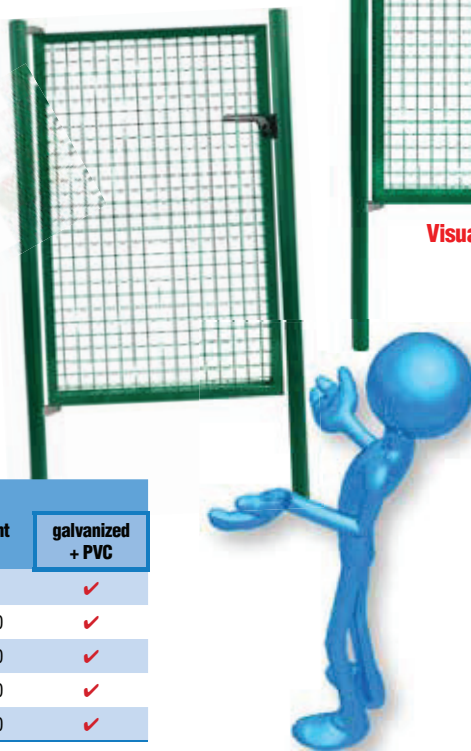
SINGLE SWING GATE – PILGATE®

- modified galvanized and galvanized + PVC
- frame made of square profiles (closed)
- welded net filling
- eyelets 50 × 50 mm
- wire diameter 3.50 mm
- green
- the gateway includes 2 posts including adjustable joint suspensions
- included is a lock with insert

SINGLE SWING GATE			
width × height (mm)	galvanized + PVC	width × height (mm)	galvanized + PVC
1000 × 950	✓	1250 × 950	✓
1000 × 1150	✓	1250 × 1150	✓
1000 × 1450	✓	1250 × 1450	✓
1000 × 1750	✓	1250 × 1750	✓
1000 × 1950	✓	1250 × 1950	✓

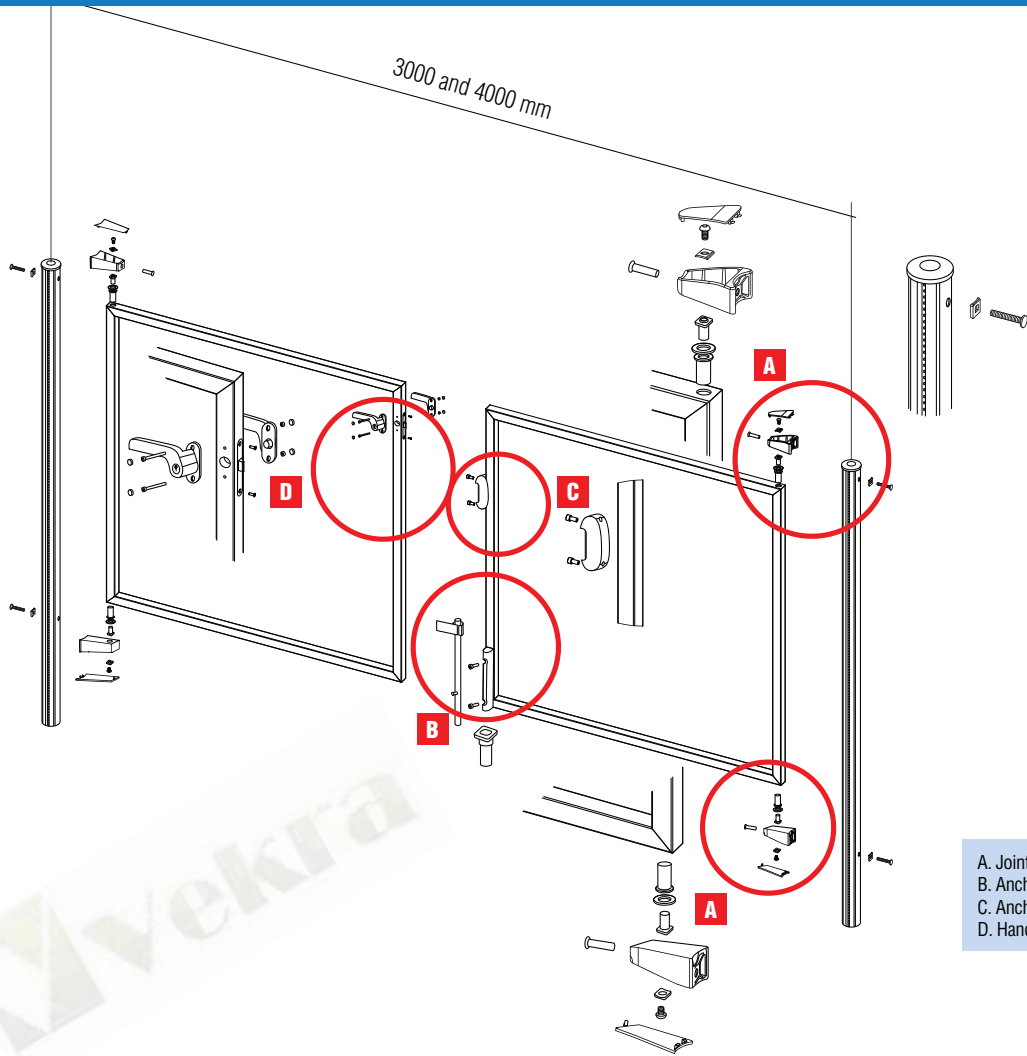


Visualization of double swing gateway
950, 1150, 1450 mm.



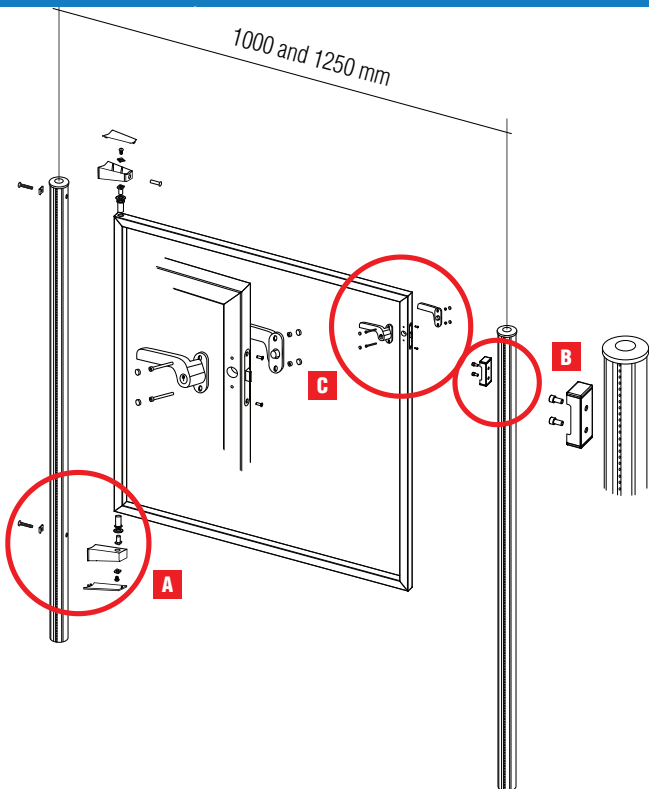
**GALVANIZED VERSION
OF GATES AND GATEWAYS
CUSTOM-MADE**

GATEWAY – PILGATE®



- A. Joint suspension
- B. Anchoring the middle gate bolts
- C. Anchoring the gate stop
- D. Handle and lock installation

SINGLE SWING GATE – PILGATE®



- A. Joint suspension
- B. Anchoring the gate stop
- C. Handle and lock installation